

All Dimensions
are in mm



TITLE:

P-3 Vision, S, BL

DWG NO.

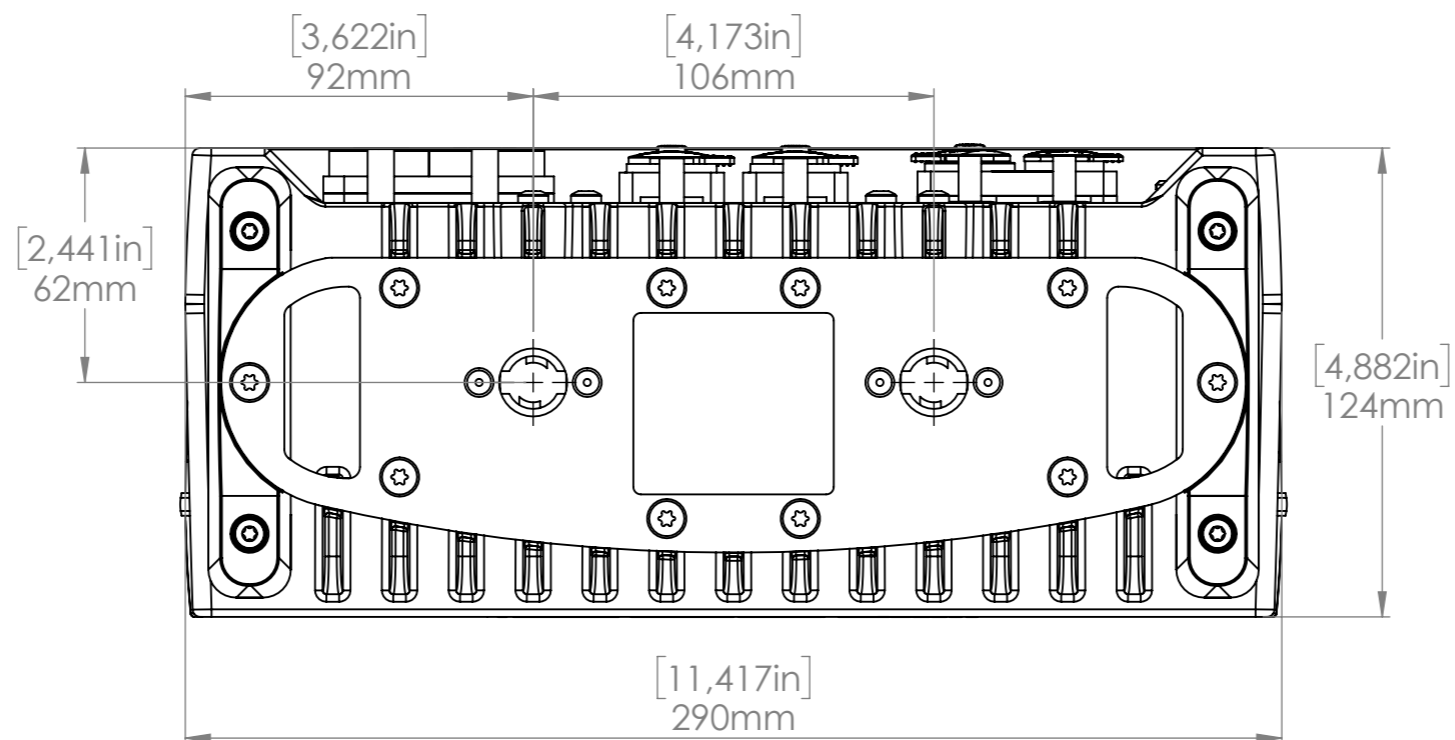
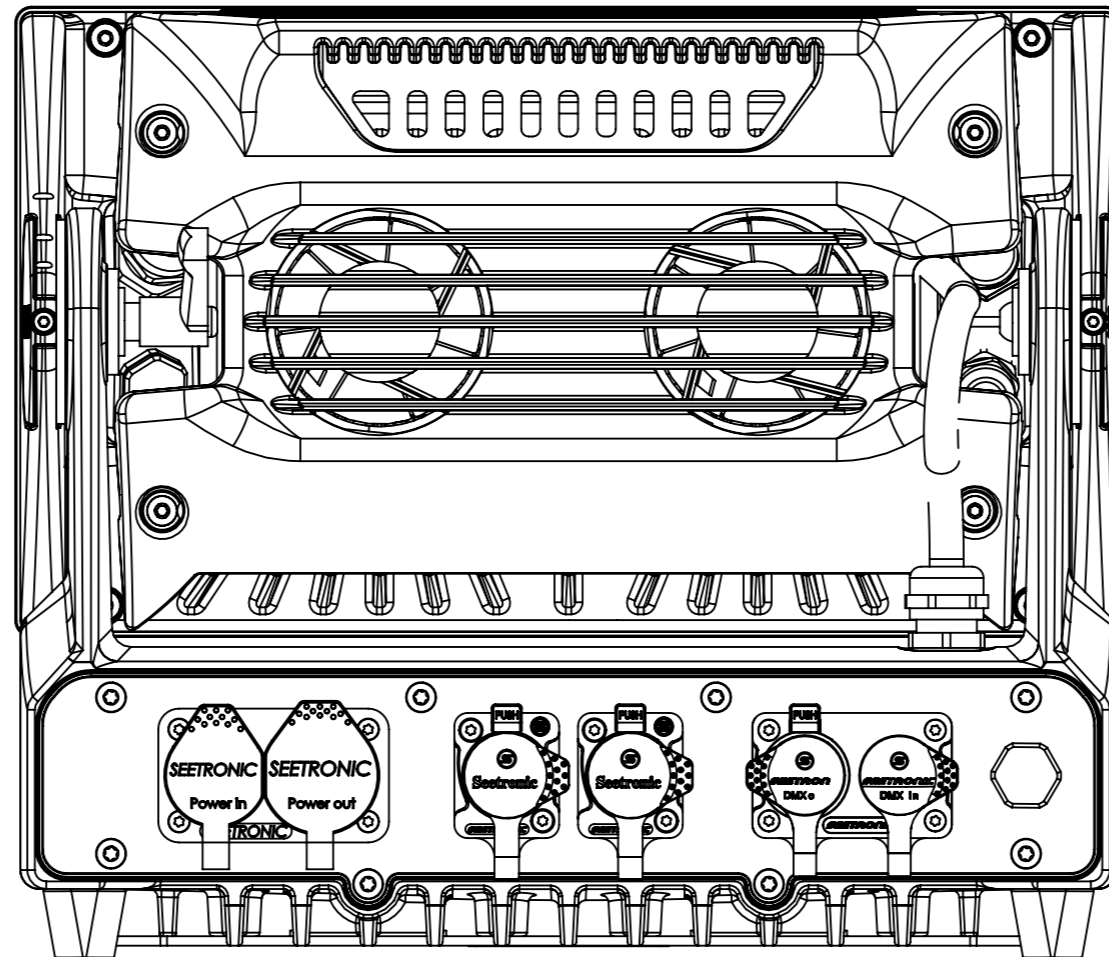
80032000


DO NOT SCALE DRAWING

SCALE:1:3

SHEET FORMAT: A3

SHEET 1 OF 2



| | | | |
|--|--|------------------|--------------|
| All Dimensions are in mm |  Copyright © SGM Light A/S. All rights reserved. | | |
| TITLE: <h2 style="text-align: center;">P-3 Vision, S, BL</h2> | | | |
| DWG NO. 80032000 | | | |
| DO NOT SCALE DRAWING | SCALE: 1:2 | SHEET FORMAT: A3 | SHEET 2 OF 2 |